

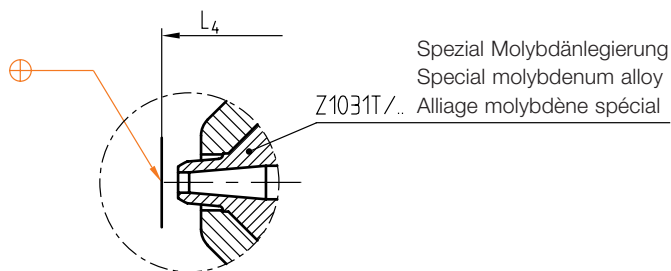
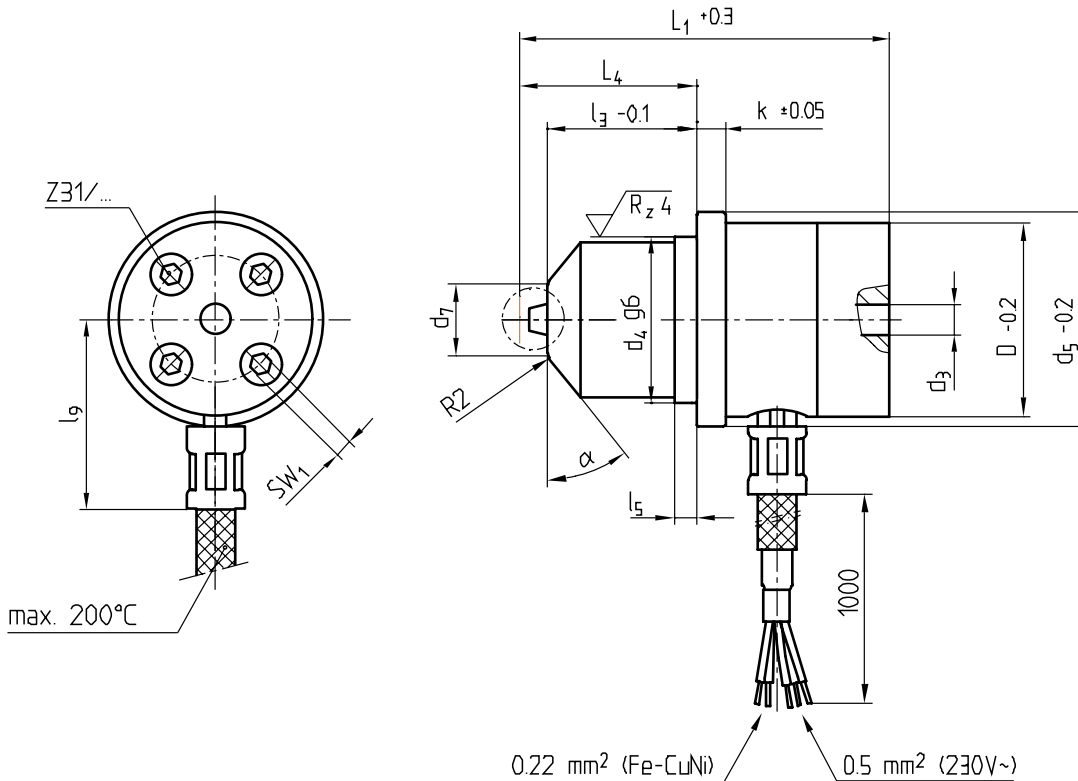
Z 103 GT/...

230 V~

⎯+ = Fe-CuNi



► Info



SW ₁	α	max. °C	Watt	k	d ₅	d ₄	d ₃	d ₇	l ₉	l ₃	l ₅	L ₄	Typ	D	L ₁	Nr./No.
2,5	51°	360	315	4	38	25	3,5	12,4	40	28	4	32	..32..	32	61	Z103GT/32x 61
4	50°		400	5	44	28	5	16	41	36		41	..38..	38	75	38x 75
5			6	52	35	6	19	49	50		56	..45..	45	88	45x 88	
6			8	62	42	7	21,7	51	30	5	37	..56..	56	81	56x 81	
										61		68			112	56x112

This is trial version
www.adultpdf.com